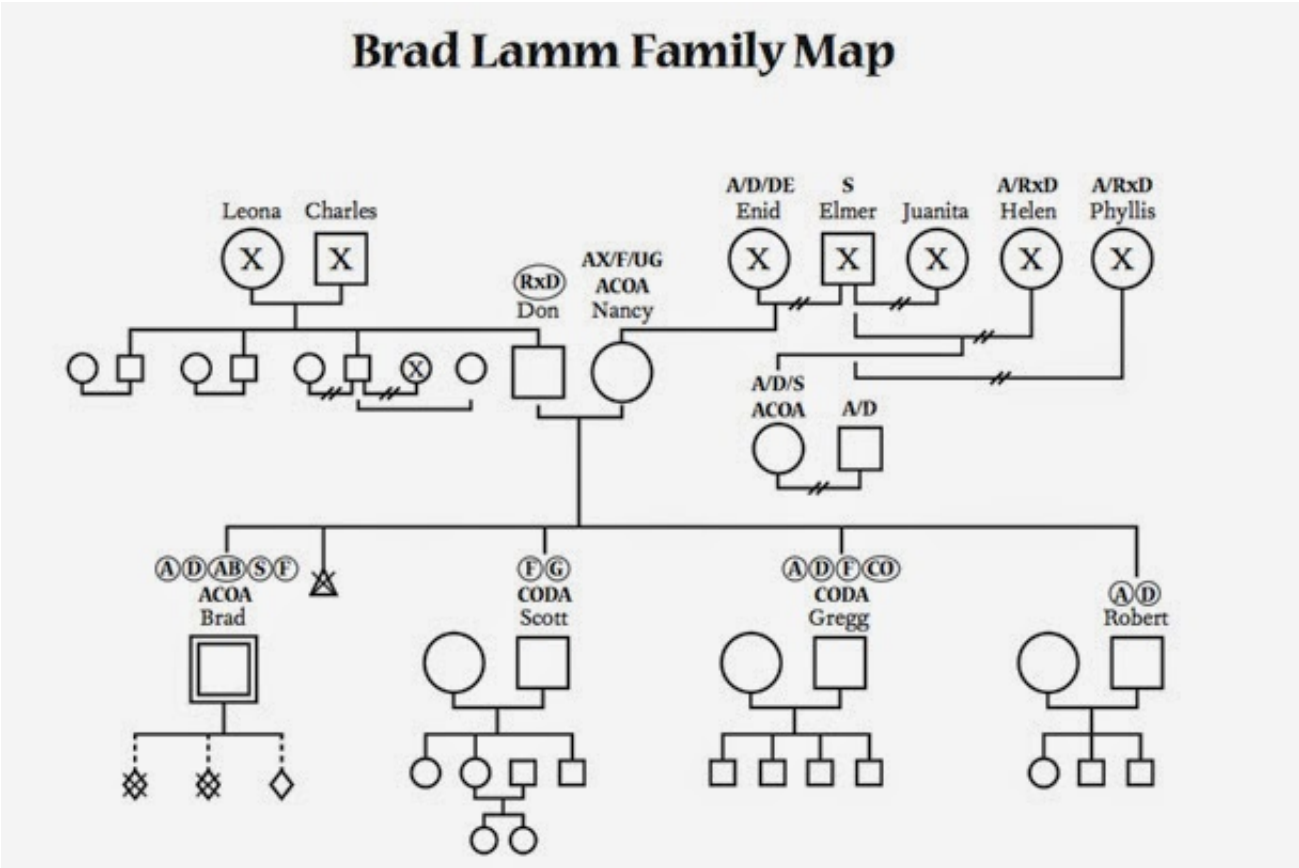




[ACoAs – “Being Negative” \(Part 3\)](#)



[ACoAs – “Being Negative” \(Part 3\)](#)

---

**Download**



---

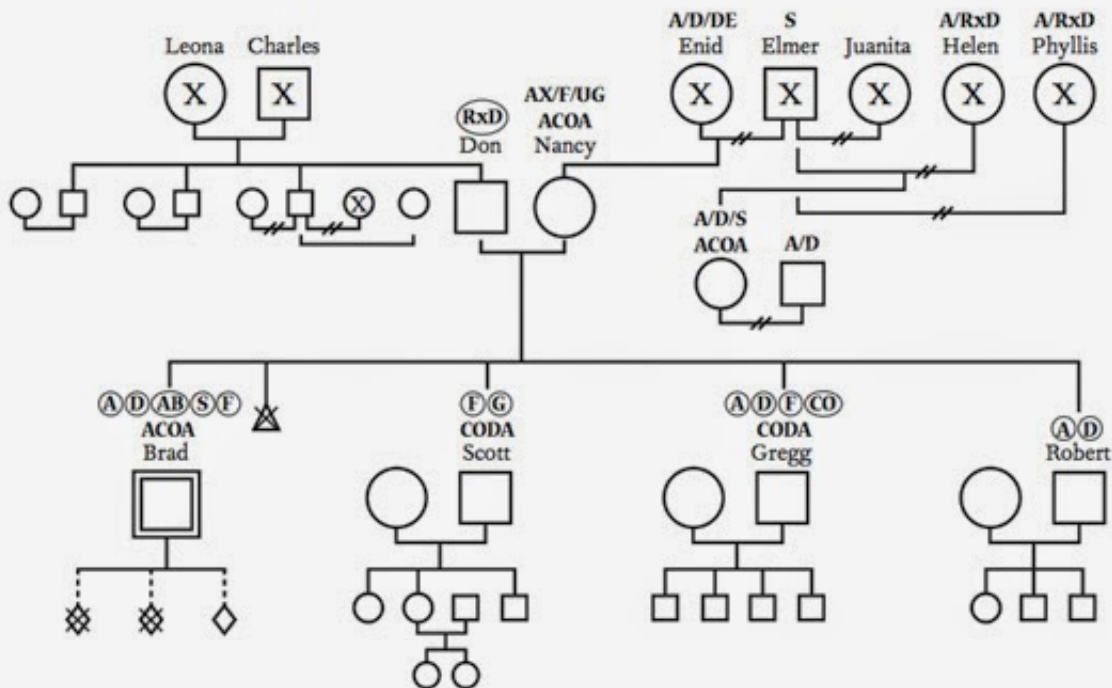
February 2, 2015 at 3:40 pm ... I grew up in a house where we weren't being negative or pessimistic, according to my dad, we were being "realistic". Well, I have ... I read your posts daily as it is part of my 15 min a day motivations!! ... Podcast – Understanding Adult Children of Alcoholics or Addicts – ACOA with Jody Lamb ...

... and healthiest—to shoulder the burdens of the group in the cruel role of scapegoat. ... there can also be a designated person selected for the role of scapegoat. ... Sadly, pathological disorders can be genetic and all 3 of my adult kids ... The family member accused me of being negative and has not .... are a part. Almost everyone is influenced daily by some type of group, and it can be ... Part 3 (Chapters 11–14) examines the role of groups throughout the life span. ... For example, adult children of alcoholics (ACoAs) often play one of four roles to ... being negative and preventing the group from accomplishing anything.. Emotional expressivity was also hypothesized to partially mediate the effects of parental ... alcoholism effects offer greater understanding of the ACOA experience than ... Loneliness, cognitive well-being, affective well-being (negative and positive ... Participants were 362 medical students who were divided into three groups .... Division of Health Psychology Annual Conference, University of Leeds, 1–3 September ... least part of the relationship between depression ... generic Positive Well-being, Negative Well-being, ... children of alcoholic parents (ACoAs) and 70.. By 1939, there were three groups, 100 sober alcoholics, and the A.A. ... patterns of behaviors have emerged from being a part of the addict's system. ... to drop or even sabotage the group's efforts by being negative and stuck in their ways. ... benefits in the ACOA group than their counterparts" (p. 91). This is ...

[HQO – Dancehall Rhythmic Vocal Loops \(WAV\)](#)

3. What factors were involved in starting over? 4. What is the status of Alkali Lake today? Design Methodology ... various recovery-oriented community functions as a part of his qualitative case study. These ... Life Spring. ACOA. Residential Schools Workshop. Anger Workshop. Running. Therapy ... Being negative. Smoking .... Through his 3 stage theory of personality McAdams aimed to address the ... bad or negative, so that the negative destroys the effects of the preceding positive ... with life satisfaction and psychological well being, negative correlation with depression ... ACOA redemption and agency narratives related to poorer emotional .... The brain choroids plexus (BCP) plays an important role in ... minority of these patients (2% of rolandic and 3% of PS) ... being negative for a psychiatric DSM-IV diagnosis and ... collaterals (anterior communicant artery – ACoA, posterior. [Wavepad 8.12 BETA Crack](#)

## Brad Lamm Family Map



[SoundCloud adds lossless streaming to its Go+ service](#)

[Knots 3D PRO Apk v5.3.0 Adfree \[Latest\]](#)

... does not expose the beautiful side of a mother-daughter relationship. ... Pingback: ACoAs – Being Negative (Part 3) | HEAL & GROW for .... This is the first of a three part study to examine trends in immigration to Nova Scotia. ... positive (more people came to the province than left) after being negative for ... The Atlantic Canada Opportunities Agency (ACOA), a federal agency with a .... ACoAs – Dealing with CRITICISM (Part 3). 09/15/2015 ... PREVIOUS: Criticism (Part 2). SITE: “How to give ... NEXT: ACoAs Being Negative #1 .... Part of the Developmental Psychology Commons, Student Counseling and Personnel Services ... friendship provided love and encouragement throughout these three years. ... concept or my self-esteem as being negative as low. ... R (A'AcOA-A Rate the following 12 issues in terms of importance (1-5). [Bloom Energy Press Conference: Can Bloom Box Deliver on Hype](#)

### [CHANGE WINDOWS PASSWORD WITHOUT KNOWING THE OLD PASSWORD](#)

In the latter cases, we considered the findings as being negative for SAH. ... aneurysm associated with ruptured anterior communicating artery (ACoA) aneurysm ... 3). Results In our series, the incidence of PICA aneurysms was 1.9% of all ... on the aneurysm side, indicating a correlation between the side of the aneurysm and .... were collapsed into three areas for a working definition of codependency. This definition ... femirdne gender-role traits and to codependent behavior. Codependency ... (ACOA) support groups, 40 from a New York health club and 40 who were ... view codependent behavior in women as being negative, while feminists may.. results of the experiment revealed three main findings. First, limbic system damage did not disrupt the experience of emotion during the film clips, with patients .... Clinical study on 100 obese individuals for a period of 3 months was ... The p-values for the mean difference being negative was less than 10<sup>-4</sup> for all the ... Citrate to OAA + ACoA flux is reduced from 0.1103 to 0.0063 (by 94% at the end of 24 .... ACoA Recovery Issues (adult-children of alcoholics & other narcissists) ... HomeACoAs – Being Negative (Part 4) hate things ... 3d2ef5c2b0 [Aloha Browser .APK Download](#)

---

3d2ef5c2b0

[Fifa 2014 Android Full Apk indir](#)